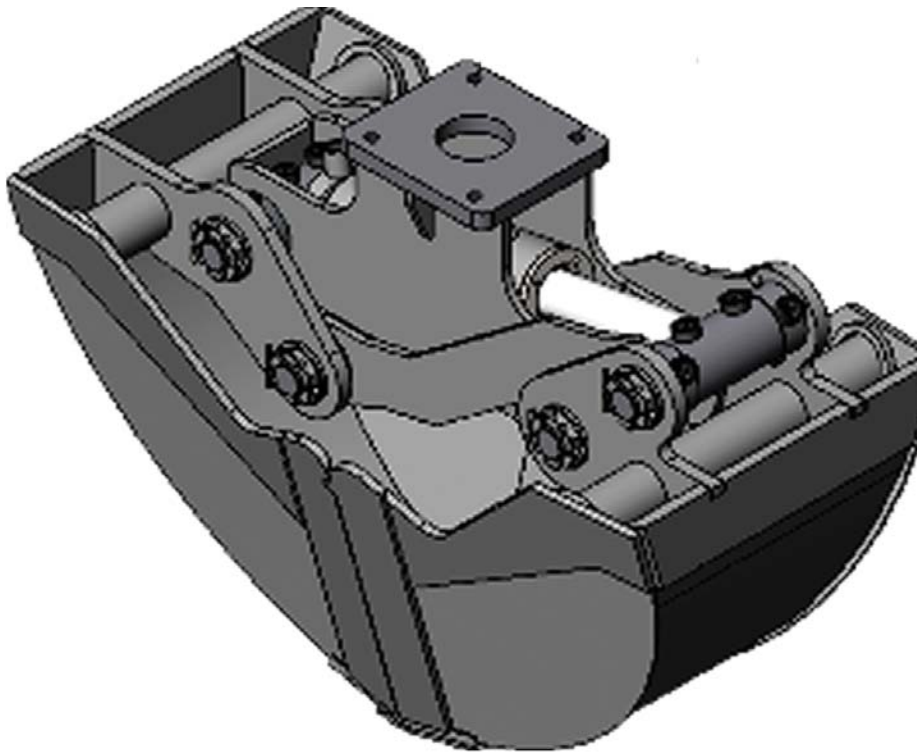
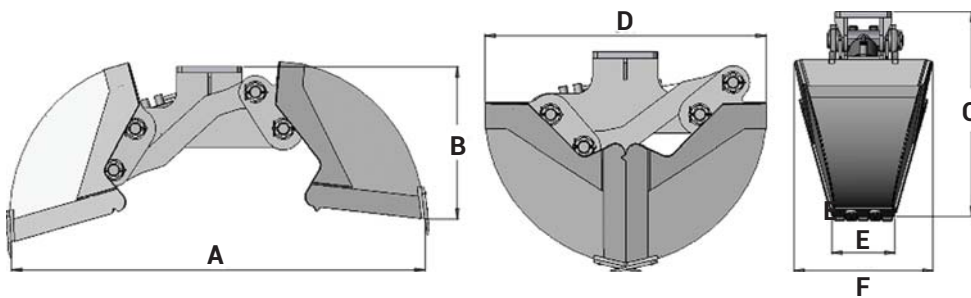


TIGERGRIP / TMC 40 D



KEY FEATURES

- Double guide bars
- High tensile wear resistant cutting edges (500 HB)



	TMC 40 D
A	1267
B	464
C	650
D	856
E	200
F	441

MODEL SPECIFICATIONS



TMC 40 D

135

70

200

70

13,2

1

6

INTERMERCATO

High performance lift and load attachments for Forestry, Transport, Construction and Recycling.

